



## **GKF 1500**

Capsule filling machine  
Replacement spare parts

### **INTERNATIONAL INVENTORY MANAGEMENT**

456 MANNING AVENUE  
ELON, NC 27244 USA  
TEL 001 336 584 4777  
FAX 001 336 584 4950  
[www.iimnc.com](http://www.iimnc.com)

## Table of Contents

---

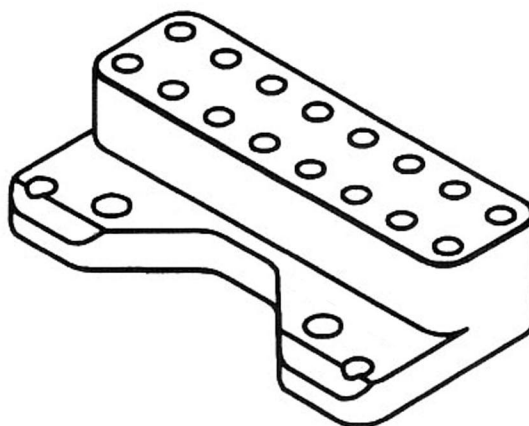
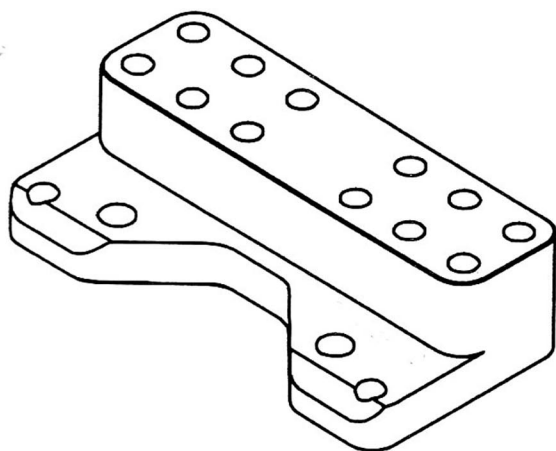
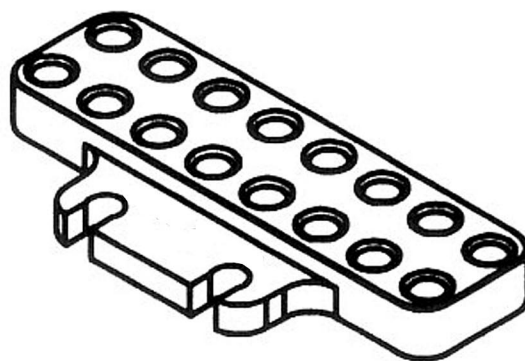
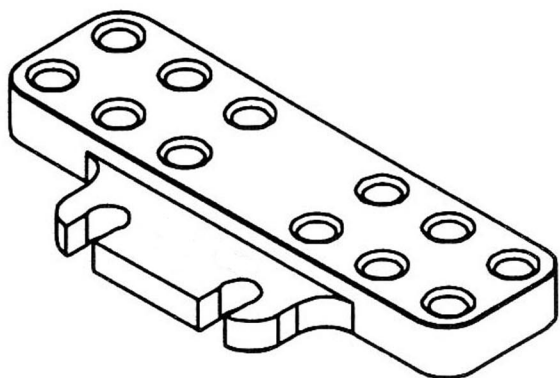
### Size change parts

Section	Description
46	Change parts: segment blocks, alignment pins
47	Change parts: tamping pins
48	Change parts: sorting fingers, magazines, orientation blocks, complete size change kits

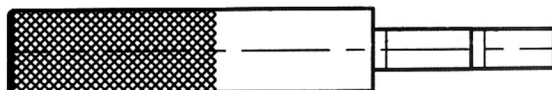
# Section 46: change parts - segment blocks, alignment pins

12 count

16 count



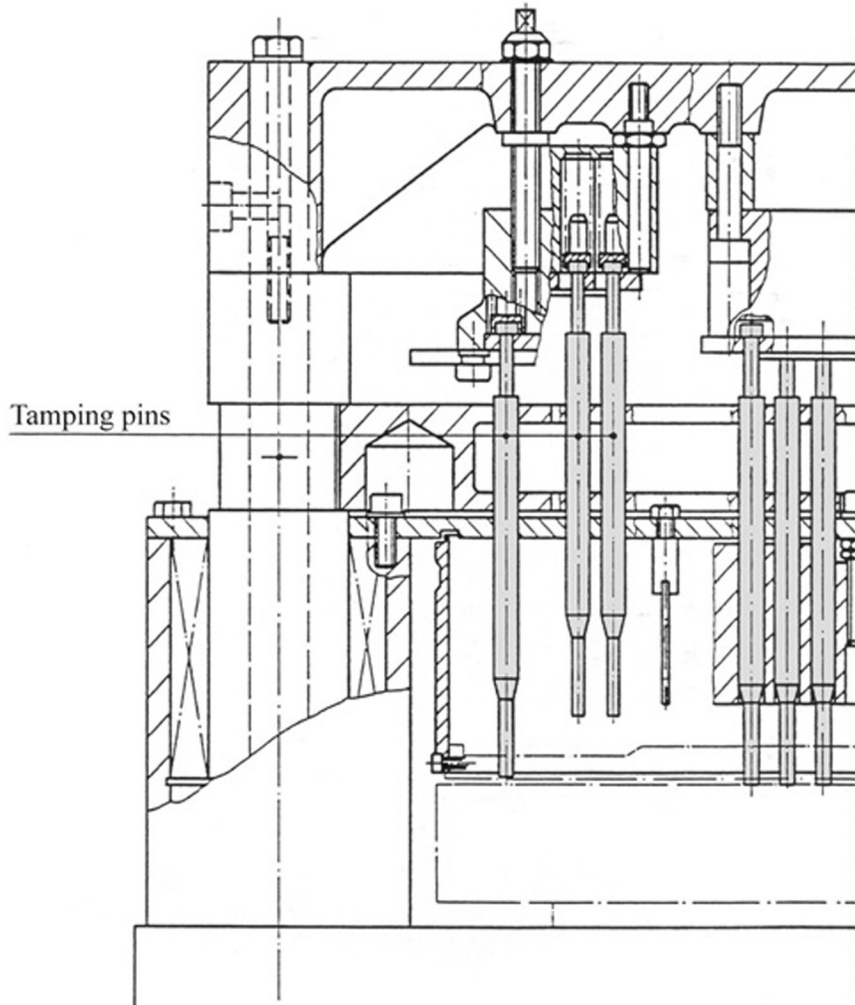
segment alignment pin



## Section 46: Change parts: segment blocks, alignment pins

IIM No.	Description
26013	BLOCK,SEGMENT,LOWER,SIZE 00 ELONGATED,12 COUNT
-	BLOCK,SEGMENT,LOWER,SIZE 00 ELONGATED,16 COUNT
8318	BLOCK,SEGMENT,LOWER,SIZE 0 ELONGATED,12 COUNT
25065	BLOCK,SEGMENT,LOWER,SIZE 0 ELONGATED,16 COUNT
3866	BLOCK,SEGMENT,LOWER,SIZE 0,12 COUNT
12228	BLOCK,SEGMENT,LOWER,SIZE 0,16 COUNT
3579	BLOCK,SEGMENT,LOWER,SIZE 00,12 COUNT
13250	BLOCK,SEGMENT,LOWER,SIZE 00,16 COUNT
13248	BLOCK,SEGMENT,LOWER,SIZE 000,12 COUNT
13249	BLOCK,SEGMENT,LOWER,SIZE 000,16 COUNT
3868	BLOCK,SEGMENT,LOWER,SIZE 1,12 COUNT
12091	BLOCK,SEGMENT,LOWER,SIZE 1,16 COUNT
3869	BLOCK,SEGMENT,LOWER,SIZE 2,12 COUNT
10482	BLOCK,SEGMENT,LOWER,SIZE 2,16 COUNT
3283	BLOCK,SEGMENT,LOWER,SIZE 3,12 COUNT
12226	BLOCK,SEGMENT,LOWER,SIZE 3,16 COUNT
7269	BLOCK,SEGMENT,LOWER,SIZE 4,12 COUNT
13245	BLOCK,SEGMENT,LOWER,SIZE 4,16 COUNT
13246	BLOCK,SEGMENT,LOWER,SIZE 5,12 COUNT
13247	BLOCK,SEGMENT,LOWER,SIZE 5,16 COUNT
25960	BLOCK,SEGMENT,UPPER,SIZE 00-ELONGATED,12 COUNT
-	BLOCK,SEGMENT,UPPER,SIZE 00-ELONGATED,16 COUNT
8317	BLOCK,SEGMENT,UPPER,SIZE 0-ELONGATED,12 COUNT
26448	BLOCK,SEGMENT,UPPER,SIZE 0-ELONGATED,16 COUNT
3861	BLOCK,SEGMENT,UPPER,SIZE 0,12 COUNT
12229	BLOCK,SEGMENT,UPPER,SIZE 0,16 COUNT
3578	BLOCK,SEGMENT,UPPER,SIZE 00,12 COUNT
13244	BLOCK,SEGMENT,UPPER,SIZE 00,16 COUNT
13242	BLOCK,SEGMENT,UPPER,SIZE 000,12 COUNT
13243	BLOCK,SEGMENT,UPPER,SIZE 000,16 COUNT
3863	BLOCK,SEGMENT,UPPER,SIZE 1,12 COUNT
12090	BLOCK,SEGMENT,UPPER,SIZE 1,16 COUNT
3864	BLOCK,SEGMENT,UPPER,SIZE 2,12 COUNT
10504	BLOCK,SEGMENT,UPPER,SIZE 2,16 COUNT
5331	BLOCK,SEGMENT,UPPER,SIZE 3,12 COUNT
12227	BLOCK,SEGMENT,UPPER,SIZE 3,16 COUNT
7270	BLOCK,SEGMENT,UPPER,SIZE 4,12 COUNT
13239	BLOCK,SEGMENT,UPPER,SIZE 4,16 COUNT
13240	BLOCK,SEGMENT,UPPER,SIZE 5,12 COUNT
13241	BLOCK,SEGMENT,UPPER,SIZE 5,16 COUNT
13360	ALIGNMENT PIN,FOR SEGMENT BLOCK,SIZE 000
4923	ALIGNMENT PIN,FOR SEGMENT BLOCK,SIZE 00
8185	ALIGNMENT PIN,FOR SEGMENT BLOCK,SIZE 0
4924	ALIGNMENT PIN,FOR SEGMENT BLOCK,SIZE 1
5190	ALIGNMENT PIN,FOR SEGMENT BLOCK,SIZE 2
5191	ALIGNMENT PIN,FOR SEGMENT BLOCK,SIZE 3
13361	ALIGNMENT PIN,FOR SEGMENT BLOCK,SIZE 4
13362	ALIGNMENT PIN,FOR SEGMENT BLOCK,SIZE 5

## Section 47: change parts - tamping pins



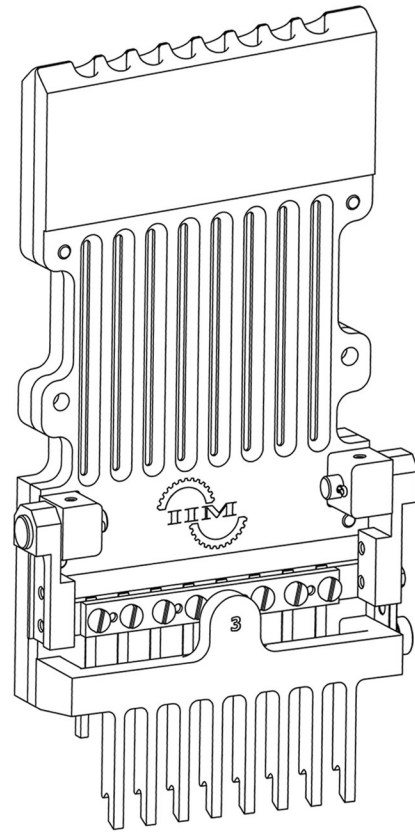
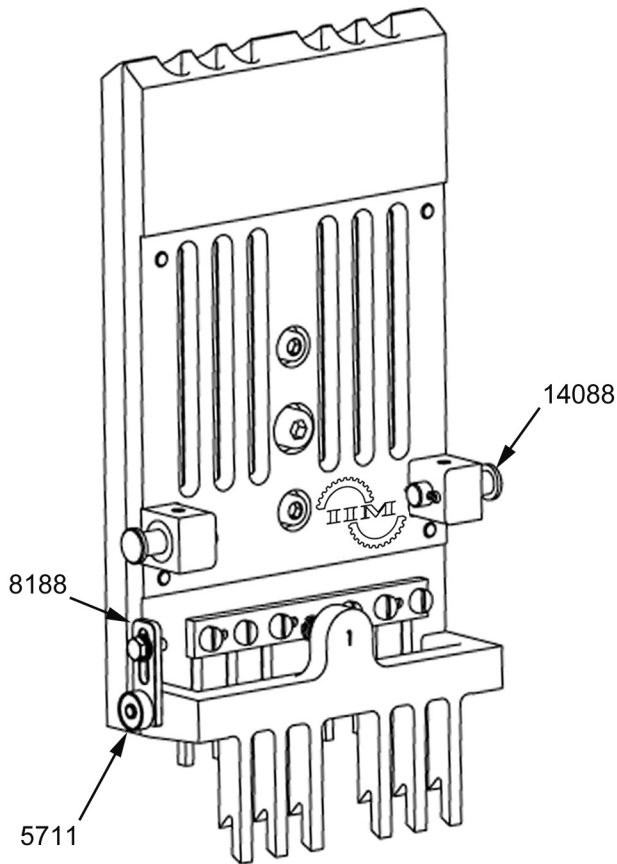
**Section 47: Change parts: tamping pins**

<b>HM No.</b>	<b>Description</b>
13165	PIN,TAMPING,SIZE 000,12 OR 16 COUNT
13358	PIN,TAMPING,SIZE 000,ADJ DOSING DISC,12 OR 16 COUNT
3879	PIN,TAMPING,SIZE 00,12 OR 16 COUNT
25198	PIN,TAMPING,SIZE 00,12 OR 16 COUNT,PLATED
7533	PIN,TAMPING,SIZE 00,ADJ DOSING DISC,12 OR 16 COUNT
3839	PIN,TAMPING,SIZE 0,12 OR 16 COUNT
14371	PIN,TAMPING,SIZE 0,12 OR 16 COUNT,PLATED
7534	PIN,TAMPING,SIZE 0,ADJ DOSING DISC,12 OR 16 COUNT
3840	PIN,TAMPING,SIZE 1,12 OR 16 COUNT
14283	PIN,TAMPING,SIZE 1,12 OR 16 COUNT,PLATED
7535	PIN,TAMPING,SIZE 1,ADJ DOSING DISC,12 OR 16 COUNT
3878	PIN,TAMPING,SIZE 2,12 OR 16 COUNT
25199	PIN,TAMPING,SIZE 2,12 OR 16 COUNT,PLATED
7536	PIN,TAMPING,SIZE 2,ADJ DOSING DISC,12 OR 16 COUNT
5150	PIN,TAMPING,SIZE 3,12 OR 16 COUNT
14108	PIN,TAMPING,SIZE 3,12 OR 16 COUNT,PLATED
7537	PIN,TAMPING,SIZE 3,ADJ DOSING DISC,12 OR 16 COUNT
5126	PIN,TAMPING,SIZE 4,12 OR 16 COUNT
25200	PIN,TAMPING,SIZE 4,12 OR 16 COUNT,PLATED
7538	PIN,TAMPING,SIZE 4,ADJ DOSING DISC,12 OR 16 COUNT
11312	PIN,TAMPING,SIZE 5,12 OR 16 COUNT
25201	PIN,TAMPING,SIZE 5,12 OR 16 COUNT,PLATED
13359	PIN,TAMPING,SIZE 5,ADJ DOSING DISC,12 OR 16 COUNT
7289	PIN,ALIGNMENT,FOR DOSING DISC,SIZE 000
3539	PIN,ALIGNMENT,FOR DOSING DISC,SIZE 00
7291	PIN,ALIGNMENT,FOR DOSING DISC,SIZE 0
4925	PIN,ALIGNMENT,FOR DOSING DISC,SIZE 1
5188	PIN,ALIGNMENT,FOR DOSING DISC,SIZE 2
5189	PIN,ALIGNMENT,FOR DOSING DISC,SIZE 3
7293	PIN,ALIGNMENT,FOR DOSING DISC,SIZE 4
7294	PIN,ALIGNMENT,FOR DOSING DISC,SIZE 5

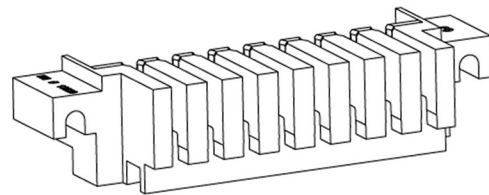
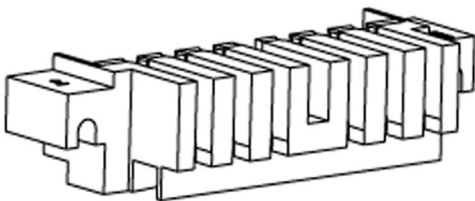
# Section 48: change parts - sorting station

12 count

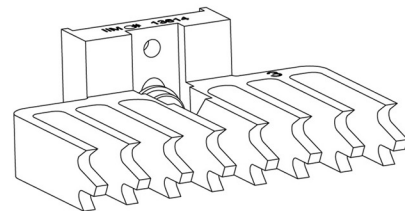
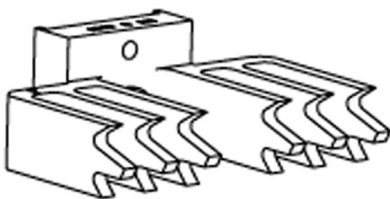
16 count



magazine



sorting block



orientation fingers

**Section 48: Change parts: sorting fingers, magazines, orientation blocks**

<b>IIM No.</b>	<b>Description</b>
4985	SCREW,MOUNT BLOCK HOLDING,M6
5339	SCREW,MAGAZINE HOLDING
5359	FINGER, MAGAZINE
5711	BEARING,MAGAZINE ARM
5899	SPRING, COMP, MAGAZINE FINGER
8188	MAGAZINE ADJUSTING ARM
13040	RETAINING RING,E-STYLE
23163	SCREW,SORTING FINGER HOLDING,M8
26014	BLOCK,SORTING,12 COUNT,SIZE 00E
10308	BLOCK,SORTING,12 COUNT,SIZE 0E
7347	BLOCK,SORTING,12 COUNT,SIZE 00
27219	BLOCK,SORTING,12 COUNT,SIZE 00,WITH PLASTIC FINS
7345	BLOCK,SORTING,12 COUNT,SIZE 0
27220	BLOCK,SORTING,12 COUNT,SIZE 0,WITH PLASTIC FINS
5356	BLOCK,SORTING,12 COUNT,SIZE 1
8353	BLOCK,SORTING,12 COUNT,SIZE 1,WITH PLASTIC FINS
5357	BLOCK,SORTING,12 COUNT,SIZE 2
27221	BLOCK,SORTING,12 COUNT,SIZE 2,WITH PLASTIC FINS
5358	BLOCK,SORTING,12 COUNT,SIZE 3
25727	BLOCK,SORTING,12 COUNT,SIZE 3,WITH PLASTIC FINS
7346	BLOCK,SORTING,12 COUNT,SIZE 4
24898	BLOCK,SORTING,12 COUNT,SIZE 4,WITH PLASTIC FINS
13500	BLOCK,SORTING,16 COUNT,SIZE 00
13519	BLOCK,SORTING,16 COUNT,SIZE 0
11865	BLOCK,SORTING,16 COUNT,SIZE 1
10480	BLOCK,SORTING,16 COUNT,SIZE 2
13520	BLOCK,SORTING,16 COUNT,SIZE 3
13521	BLOCK,SORTING,16 COUNT,SIZE 4
25961	FINGERS,ORIENTATION,12 COUNT,SIZE 00EL
10309	FINGERS,ORIENTATION,12 COUNT,SIZE 0EL
8219	FINGERS,ORIENTATION,12 COUNT,SIZE 00
14710	FINGERS,ORIENTATION,12 COUNT,SIZE 0
5353	FINGERS,ORIENTATION,12 COUNT,SIZE 1
5354	FINGERS,ORIENTATION,12 COUNT,SIZE 2
5355	FINGERS,ORIENTATION,12 COUNT,SIZE 3
14711	FINGERS,ORIENTATION,12 COUNT,SIZE 4
26614	FINGERS,ORIENTATION,12 COUNT,PLASTIC,SIZE 000
26615	FINGERS,ORIENTATION,12 COUNT,PLASTIC,SIZE 00
26616	FINGERS,ORIENTATION,12 COUNT,PLASTIC,SIZE 0
26617	FINGERS,ORIENTATION,12 COUNT,PLASTIC,SIZE 1
26526	FINGERS,ORIENTATION,12 COUNT,PLASTIC,SIZE 2
26618	FINGERS,ORIENTATION,12 COUNT,PLASTIC,SIZE 3
26619	FINGERS,ORIENTATION,12 COUNT,PLASTIC,SIZE 4
13542	FINGERS,ORIENTATION,16 COUNT,SIZE 000
13610	FINGERS,ORIENTATION,16 COUNT,SIZE 00
13612	FINGERS,ORIENTATION,16 COUNT,SIZE 0
12087	FINGERS,ORIENTATION,16 COUNT,SIZE 1
10479	FINGERS,ORIENTATION,16 COUNT,SIZE 2
13614	FINGERS,ORIENTATION,16 COUNT,SIZE 3
13615	FINGERS,ORIENTATION,16 COUNT,SIZE 4

(continued)

**Section 48: Change parts: magazines, size change kits**

<b>IIM No.</b>	<b>Description</b>
call IIM	MAGAZINE,12 COUNT,SIZE 000
26015	MAGAZINE,12 COUNT,SIZE 00E
26053	MAGAZINE,12 COUNT,SIZE 00
24234	MAGAZINE,12 COUNT,SIZE 0E
15438	MAGAZINE,12 COUNT,SIZE 0
5351	MAGAZINE,12 COUNT,SIZE 1
7203	MAGAZINE,12 COUNT,SIZE 2
3515	MAGAZINE,12 COUNT,SIZE 3
15437	MAGAZINE,12 COUNT,SIZE 4
call IIM	MAGAZINE,12 COUNT,SIZE 5
13661	MAGAZINE,16 COUNT,SIZE 000
13663	MAGAZINE,16 COUNT,SIZE 00
call IIM	MAGAZINE,16 COUNT,SIZE 0E
13829	MAGAZINE,16 COUNT,SIZE 0
12110	MAGAZINE,16 COUNT,SIZE 1
10481	MAGAZINE,16 COUNT,SIZE 2
13830	MAGAZINE,16 COUNT,SIZE 3
13881	MAGAZINE,16 COUNT,SIZE 4
13900	MAGAZINE,16 COUNT,SIZE 5
25805	SIZE CHANGE KIT, SIZE 000, 12 COUNT
call IIM	SIZE CHANGE KIT, SIZE 000, 16 COUNT
15812	SIZE CHANGE KIT, SIZE 00E, 12 COUNT
call IIM	SIZE CHANGE KIT, SIZE 00E, 16 COUNT
6244	SIZE CHANGE KIT, SIZE 00, 12 COUNT
7246	SIZE CHANGE KIT, SIZE 00, 16 COUNT
24158	SIZE CHANGE KIT, SIZE 0E, 12 COUNT
5371	SIZE CHANGE KIT, SIZE 0E, 16 COUNT
24763	SIZE CHANGE KIT, SIZE 0, 12 COUNT
7247	SIZE CHANGE KIT, SIZE 0, 16 COUNT
6246	SIZE CHANGE KIT, SIZE 1, 12 COUNT
7248	SIZE CHANGE KIT, SIZE 1, 16 COUNT
6247	SIZE CHANGE KIT, SIZE 2, 12 COUNT
7249	SIZE CHANGE KIT, SIZE 2, 16 COUNT
6248	SIZE CHANGE KIT, SIZE 3, 12 COUNT
7250	SIZE CHANGE KIT, SIZE 3, 16 COUNT
6249	SIZE CHANGE KIT, SIZE 4, 12 COUNT
7251	SIZE CHANGE KIT, SIZE 4, 16 COUNT
call IIM	SIZE CHANGE KIT, SIZE 5, 12 COUNT
7252	SIZE CHANGE KIT, SIZE 5, 16 COUNT